



EIKI

PRO V Series

WUXGA Large Venue 3LCD Laser Projector

High Brightness, High Contrast, High Performance and Maintenance-free LCD Laser Projector

High Brightness, High Contrast

The high brightness of 19,000 Lumens and high contrast of 3,000,000:1 enables realistic image reproduction, even in bright projection environment.



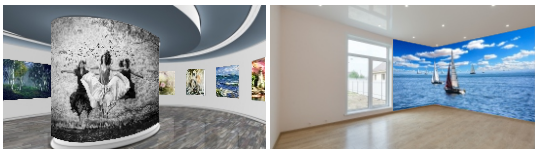
High Performance and Low maintenance

Newly designed cooling system with sealed optical engine, filter-less design and improve air flow provide high performance.

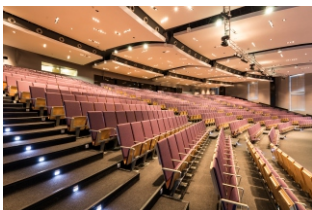
Up to 30,000 hours laser light source and filter-less design, reducing maintenance time and total cost of ownership.

Versatile Installation Capability

- Pin cushion/Barrel Correction
- 4 corner / 6 corner Keystone Correction
- 360° Free Orientation

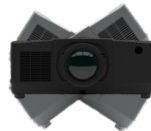


Recommended Applications



- Auditoriums
- Large Conference rooms
- Exhibitions / Events
- Museums / Galleries
- Theatres / Halls
- Houses of Worship
- Signages

Horizontal 360°



Vertical 360°



Combination of vertical and horizontal



PRO V1900

WUXGA (1920 x 1200)

EIKI V1900 is our latest 3 LCD projector with laser light source in EIKI's Large venue projector PRO-V Series.

This model offers high brightness, high contrast and high color reproduction with the new 3LCD and laser light optical engine.

Filter less by newly designed cooling system and sealed optical engine provides silent operation, maintenance-free fixed installation.

PRO V series is a versatile installation projector with advance keystone correction (Pin cushion/Barrel, 4-corner, 6-corner), full 360° installation capability including portrait mode and a full suite of optional lenses .

In addition, EIKI V1900 offers brilliant projection image by the new 1.0" LCD panel and high efficiency laser light source.

Key Features

- Designed For Heavy-duty use
- Long Life Time Laser Light Source
- Signal Wake Up
- Security Bar
- 360° Projection
- Edge Bending
- DICOM
- Lock Lens Position
- Save Lens Position
- Using Time Setting

*Center Lumens

*Projector image is with OL-EM41ZLM

*Specifications is subject to change without notice.

PRO V1900

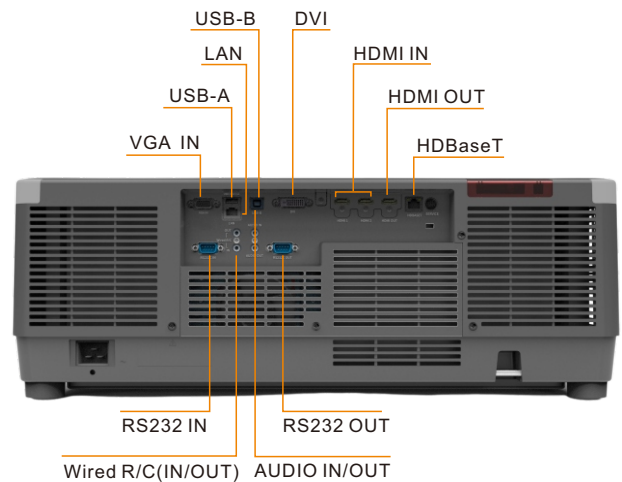
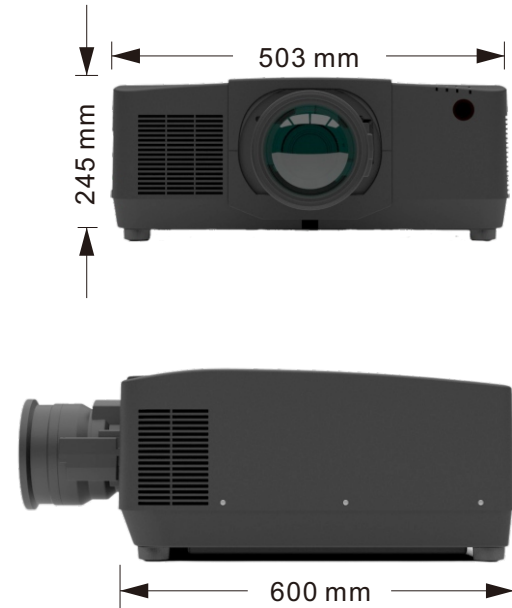
WUXGA Large Venue 3LCD Laser Projector



Specifications

Model	PRO V1900
Display Type	1.0" 3LCD
Resolution	WUXGA (1920 x 1200)
Aspect Ratio	16:10
Brightness	19,000 lumens
Contrast Ratio	3,000,000:1
Projection Light source	Laser (Blue) + Phosphor
Light Source Life	20,000 hours
Image Diagonal	Depends on lens (See below table)
Lens (F Value / Focus length)	Depends on lens (See below table)
Zoom Ratio	Depends on lens (See below table)
Throw Distance	Depends on lens (See below table)
Throw Ratio	Depends on lens (See below table)
Lens Shift (Motorized)	H: +25% ~ -25%, V: +65% ~ -25%
Keystone Correction	V: +/-30 degree, H: +/-30 degree, 4 Corner, 6 Corner
Scanning Frequency	H Sync: 15 - 100KHz V Sync: 24 - 85Hz
Input Signals - Computer	4K (3840 x 2160)-VGA (640 x 480)
Input Signals - Video	1080i/p, 720i/p, 576i/p, 480i/p
<ul style="list-style-type: none"> HDBaseT HDMI (Ver. 1.4B) DVI-D VGA Audio USB USB LAN RS232 Remote Control 	RJ45 x 1
	HDMI (IN) x 2
	DVI-D x 1
	D-sub 15 x1 (IN)
	3.5mm mini jack x 1 (IN/OUT)
	USB Type A x 1 (5V/1.5A)
	USB Type B x 1 (for service)
	RJ45 x 1
	D-sub 9 x1 (IN/OUT)
3.5mm mini jack x 2 (IN/OUT)	
Fan Noise (ECO / Normal)	Normal: 46dB; ECO2: 41dB
Dimensions (W x H x D)	23.6 x 9.6 x 19.8" (600 x 245 x 503 mm)
Weight	63.9 lb (29.0 kg) without lens
Power Requirements	AC 100 -240 V, 50/60 Hz
Power Consumption (ECO / Normal / Boost)	Boost: 1155W Normal: 1000W ECO1: 825W ECO2: 580W
Standard Accessories	AC Power Cord x 2(U.S.A. & Euro), VGA cable x 1, Remote Control (with AA batteries x 2), Quick Start Guide, Safety Guide

Dimensions



Optional Lenses

Model	AH-AV22060	AH-AV22070	AH-AV21020	AH-AV21030	AH-AV24010
Lens Type	Zoom Lens ST3	Zoom Lens ST2	Zoom Lens ST1	Zoom Lens STD	Zoom Lens L1
Throw Ratio	0.53-0.65	0.64-0.86	0.86-1.25	1.24-2.01	1.98-3.95
Zoom Ratio	1.23	1.34	1.45	1.62	1.99
Zoom/Focus	Motorized	Motorized	Motorized	Motorized	Motorized
Lens Shift	H	±20%	±20%	±25%	±25%
	V	±50%	±55%	±65%	±65%
Screen Size	80"-500"	80"-500"	80"-500"	80"-500"	80"-500"
Lens Spec	F	1.85-2.2	1.84-2.25	1.8-2.24	1.84-2.58
	f	12.0-14.6	14.91-19.1	19.0-27.6	27.7-44.3

EIKI JAPAN CO.,LTD

zip code 661-0953
Hyogo Amagasaki Higashisonoda 4-162-1-202
Web: <https://eikiworldwide.com>

Specifications subject to change without notice.
All other trademarks are the property of their respective trademark owners.